

IC 422

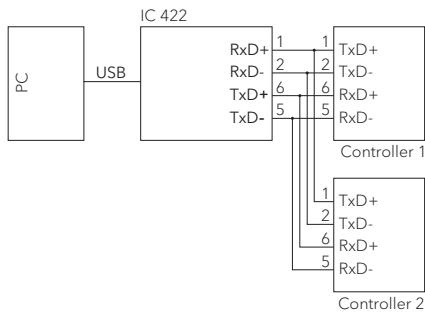
INTERFACE CONVERTER

- » Sinterface converter USB 2.0 to RS422/RS485
- » Drivers for Windows are enclosed to the product.
- » Supported in WinKonVis and flexotempMANAGER
- » Galvanic isolation
- » Display of interface activities via two LEDs.
- » Power supply via USB.
- » Pin assignment RS422/RS485 identical with pin assignment at controllers and hot runner controllers of Meusburger

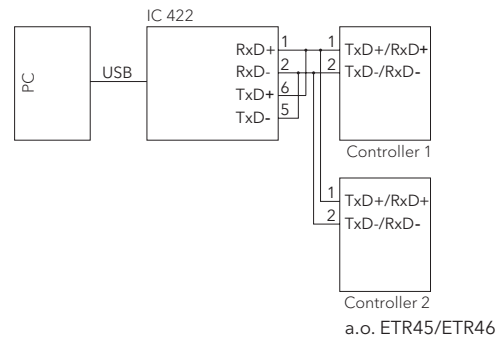


CONNECTION

4-wire



2-wire



TECHNICAL DATA

Connection

USB: USB type B socket,
USB cable (A-B) included, 1.8m
RS422: D-Sub connector 9-pin

USB Interface

Virtual COM port

Power supply

+5 V via USB (max 100mA)

LED status indicators

Two LEDs (RX, TX)

Housing / dimensions (in mm)

Plastic housing / 70 x 70 x 28

Weight

approx. 0.1 kg

Operating conditions

Operating temperature 0...55°C
0...90% relative humidity, no condensation

TX/RX switching

Automatic

Supported baud rates

300, 1200, 2400, 4800, 9600, 19200, 38400, 57600,
11520 Baud

Maximum cable length

Transmission rates relates to cable length. As a rule of thumb for shielded cable the following is valid

Cable length (m) = 100,000,000/baud (bps).

Baud (bps)	Cable length (m)
9600	10417
19200	5208
38400	2602
115200	868

DEVICE VERSIONS

Designation	Product code	Product
	89190300-00	IC 422

ZUBEHÖR

Designation	Product code	Product	Comment
	052160	VK VTM 1800	Connecting cable 4-wire D-Sub female/D-Sub male
	052220	VK 4852DR	Connecting cable 2-wire D-Sub female / open

V1 08/22 EN